

Series  
**SR**



Series  
**SRF**



■ **Applications**

Silencer is applied for noise absorption produced during the ventilating equipment operation and spread along the ducting systems. Suitable for installation into round ducts. The silencer reduces the noise level in the air duct significantly (refer the diagram «Noise level reduction»). The silencer is applied jointly with the sound-insulated fan in case of low-noise requirements not only to the air duct but to the equipment altogether.

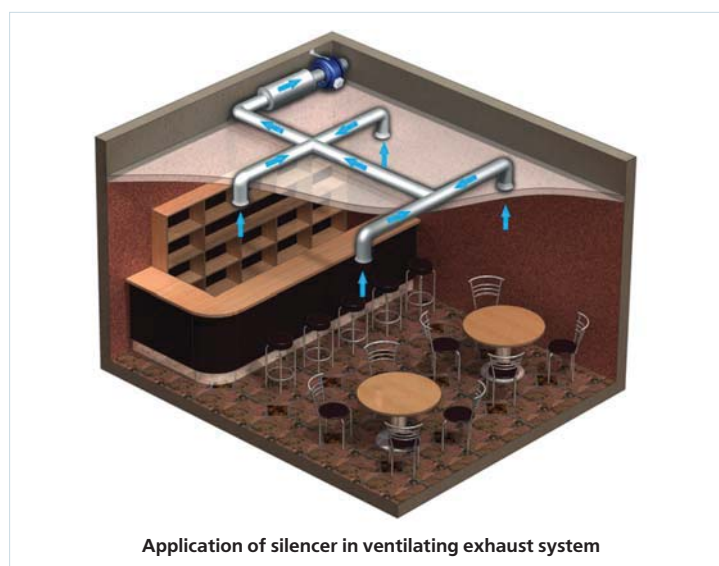
■ **Design**

The galvanized steel casing is filled with flameproof sound insulating material and equipped with protecting covering against fiber blowing-out and connecting flanges with rubber sealing for airtight connection to the air ducts.

SRF silencer casing consists of internal and external aluminium-alloy spiral seam tubes filled with flameproof sound insulating material. The casing external surface is perforated and has the protecting cover to prevent the fiber blowing-out. The minimum bending radius of the silencer is up to 2 diameters. Each standards size has several length modifications.

■ **Mounting**

The silencer design allows fixing it on the round ducts in any position by means of clamps. The linear mounting is preferable for to attain the better effect. To prevent the flexible silencer sagging it should be fixed not only at the ends but in the middle.



Application of silencer in ventilating exhaust system

Designation key: \_\_\_\_\_

Series	Air duct diameter [mm]	Length
SR SRF	100;125;150;160;200;250;315	600; 900; 1200; 2000

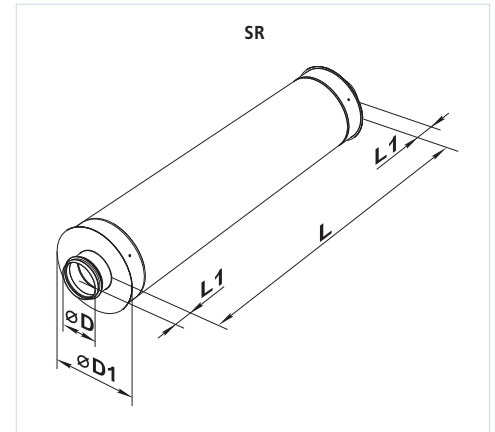
	Noise level reduction, dB (Octave-frequency band [Hz])							
	63 Hz	125 Hz	250 Hz	500 Hz	1000 Hz	2000 Hz	4000 Hz	8000 Hz
SR 100/600	4	8	10	20	34	30	13	14
SR 100/900	5	10	15	23	44	30	16	15
SR 100/1200	6	11	19	28	50	34	20	18
SR 125/600	3	5	6	15	28	17	10	9
SR 125/900	4	9	12	22	43	22	16	12
SR 125/1200	4	9	16	27	48	27	21	17
SR 150/600	2	4	8	16	32	11	7	7
SR 150/900	3	5	9	18	36	25	13	14
SR 150/1200	4	8	14	25	43	30	18	19
SR 160/600	2	4	8	17	33	11	7	7
SR 160/900	2	5	10	19	37	25	13	15
SR 160/1200	4	10	14	24	42	30	19	20
SR 200/600	2	4	6	10	27	13	7	7
SR 200/900	3	7	11	20	39	23	8	7
SR 200/1200	4	10	14	23	40	26	13	12
SR 250/600	4	5	6	11	22	12	7	6
SR 250/900	4	5	7	16	32	20	12	10
SR 250/1200	4	6	8	17	34	22	14	12
SR 315/600	2	4	5	10	17	9	6	5
SR 315/900	3	5	8	17	30	14	10	8
SR 315/1200	4	7	11	22	36	18	14	10

	Noise level reduction, dB (Octave-frequency band [Hz])							
	63 Hz	125 Hz	250 Hz	500 Hz	1000 Hz	2000 Hz	4000 Hz	8000 Hz
SRF 100/600	6	8	13	22	28	34	17	20
SRF 100/900	8	10	15	25	33	40	21	23
SRF 100/2000	10	15	24	48	53	51	39	36
SRF 125/600	4	7	14	20	31	31	13	12
SRF 125/900	5	9	16	23	36	37	17	16
SRF 125/2000	7	15	23	47	55	50	28	25
SRF 150/600	3	7	12	32	40	40	19	20
SRF 150/900	4	8	14	40	48	49	26	25
SRF 150/2000	5	10	21	42	50	48	26	25
SRF 160/600	3	7	12	20	25	24	10	12
SRF 160/900	3	8	13	21	28	28	13	16
SRF 160/2000	5	11	20	40	48	48	25	25
SRF 200/600	2	5	12	20	26	21	10	10
SRF 200/900	3	6	12	22	28	24	12	13
SRF 200/2000	4	11	22	42	51	34	19	23
SRF 250/600	2	3	8	16	22	13	10	10
SRF 250/900	2	4	9	18	25	16	11	12
SRF 250/2000	3	6	16	30	39	27	17	22
SRF 315/600	2	4	9	18	21	12	7	9
SRF 315/900	2	5	11	21	24	14	8	10
SRF 315/2000	4	7	17	34	39	24	14	18

## SILENCERS

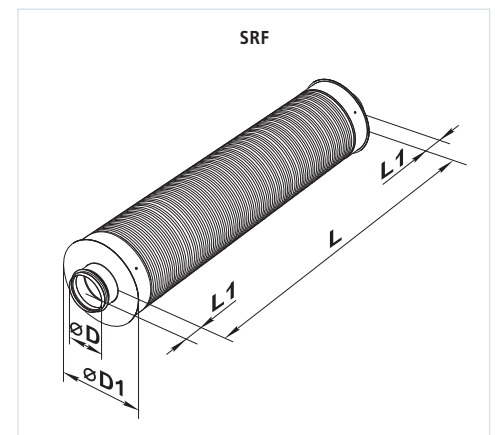
### Overall dimensions:

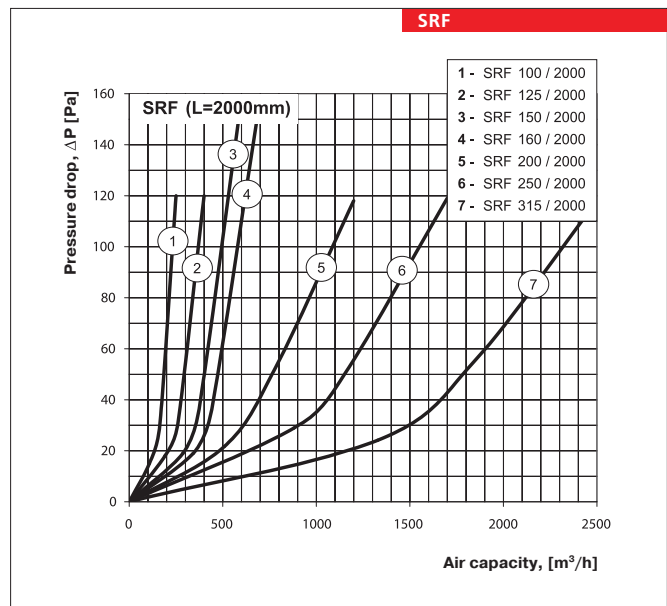
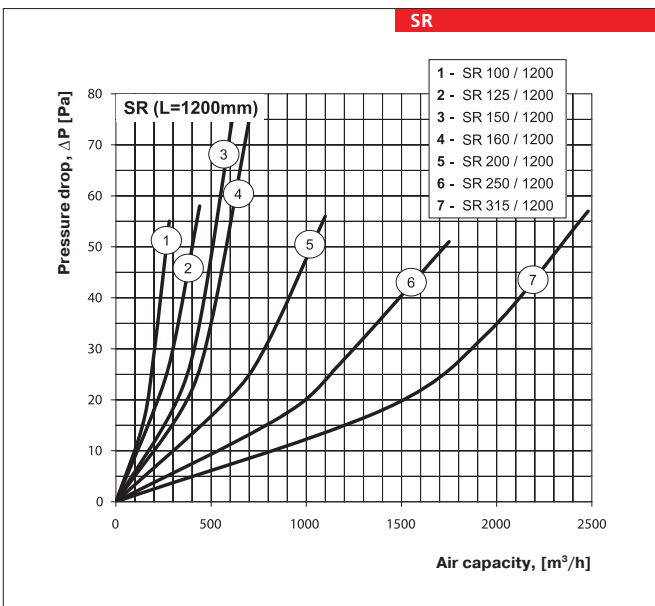
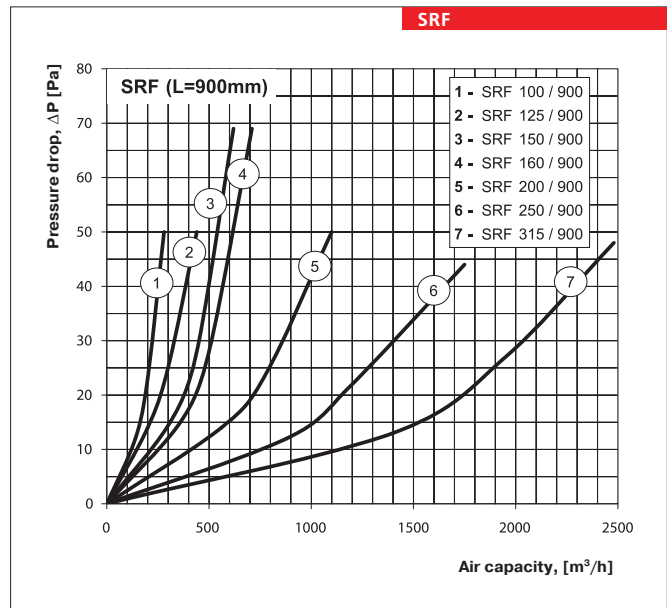
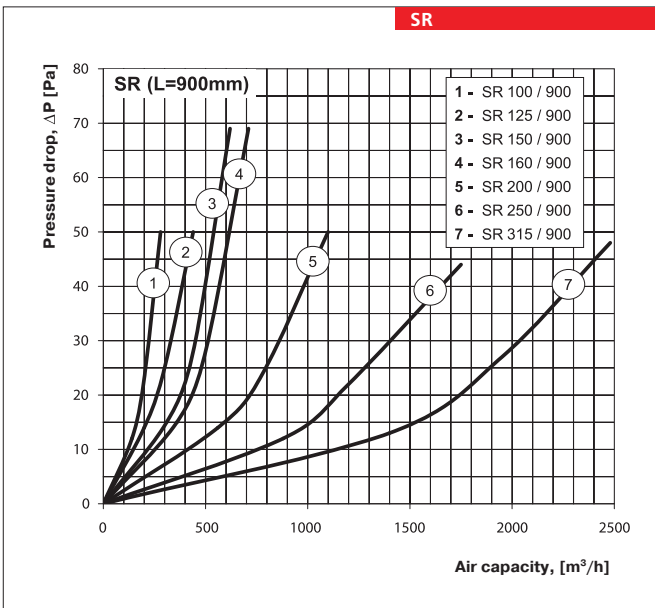
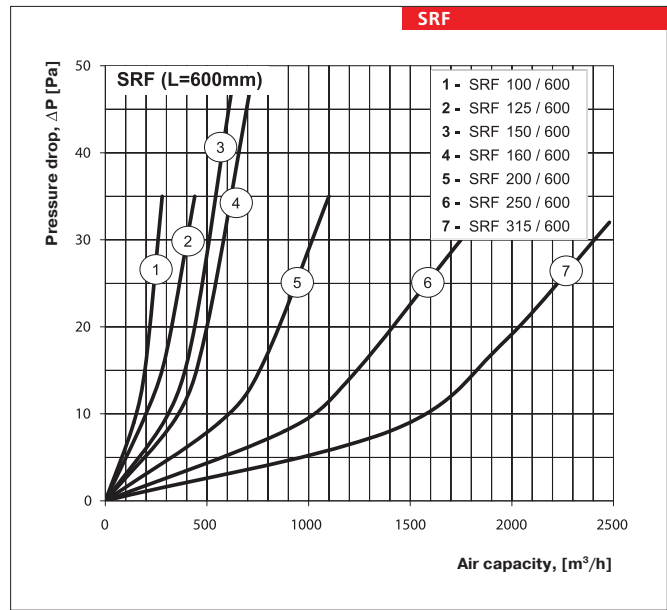
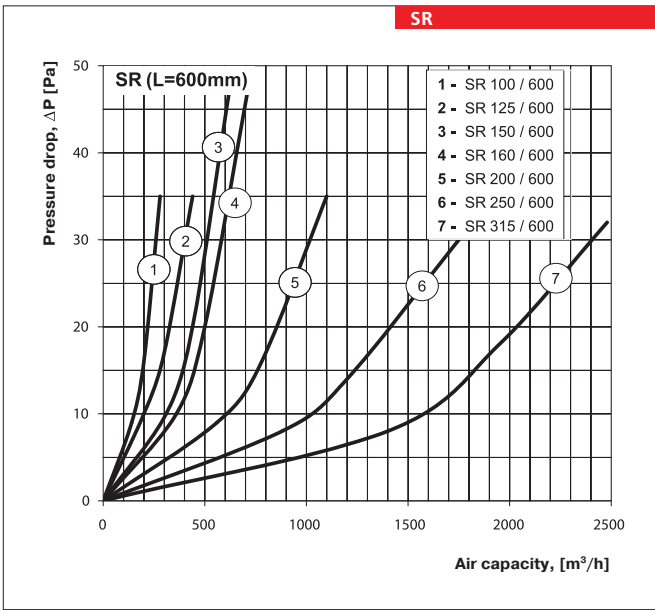
Type	Dimensions [mm]				Weight [kg]
	∅D	∅D1	L	L1	
SR 100/600	99	200	600	50	2.2
SR 100/900	99	200	900	50	3.2
SR 100/1200	99	200	1200	50	4.3
SR 125/600	124	225	600	50	2.7
SR 125/900	124	225	900	50	4.1
SR 125/1200	124	225	1200	50	5.4
SR 150/600	149	250	600	50	2.8
SR 150/900	149	250	900	50	4.2
SR 150/1200	149	250	1200	50	5.6
SR 160/600	159	260	600	50	3.1
SR 160/900	159	260	900	50	4.6
SR 160/1200	159	260	1200	50	6.2
SR 200/600	199	300	600	50	3.5
SR 200/900	199	300	900	50	5.3
SR 200/1200	199	300	1200	50	7.1
SR 250/600	249	350	600	50	4.2
SR 250/900	249	350	900	50	6.2
SR 250/1200	249	350	1200	50	8.3
SR 315/600	314	415	600	50	4.7
SR 315/900	314	415	900	50	7.1
SR 315/1200	314	415	1200	50	9.4



### Overall dimensions:

Type	Dimensions [mm]				Weight [kg]
	∅D	∅D1	L	L1	
SRF 100/600	99	220	600	55	1.6
SRF 100/900	99	220	900	55	2.4
SRF 100/2000	99	220	2000	55	5.2
SRF 125/600	124	270	600	55	2.0
SRF 125/900	124	270	900	55	3.0
SRF 125/2000	124	270	2000	55	6.6
SRF 150/600	149	270	600	55	2.1
SRF 150/900	149	270	900	55	3.1
SRF 150/2000	149	270	2000	55	6.8
SRF 160/600	159	270	600	55	2.1
SRF 160/900	159	270	900	55	3.2
SRF 160/2000	159	270	2000	55	7.0
SRF 200/600	199	320	600	55	2.6
SRF 200/900	199	320	900	55	3.9
SRF 200/2000	199	320	2000	55	8.6
SRF 250/600	249	370	600	55	3.0
SRF 250/900	249	370	900	55	4.5
SRF 250/2000	249	370	2000	55	10.1
SRF 315/600	314	420	600	55	3.4
SRF 315/900	314	420	900	55	5.1
SRF 315/2000	314	420	2000	55	11.4





SR  
SRF  
SILENCER